

R-11

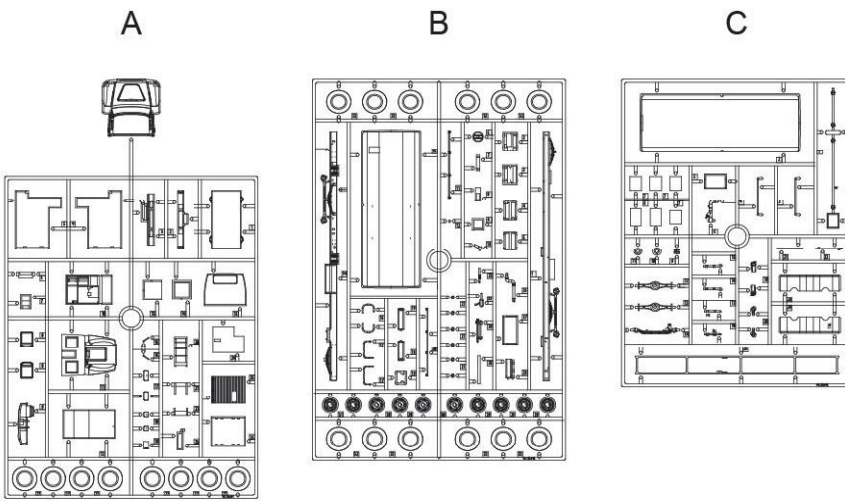
US/NATO

Fuel Truck



R-11 US/NATO Fuel Truck

The R-11 truck is used by the U.S. Air Force to refuel aircraft quickly and efficiently at critical times. The vehicle features a two door cab and a six cylinder turbocharged engine that is liquid cooled, allowing the trucks to operate in hot places such as Iraq and Afghanistan without overheating.



Part Code	K48116	Qty	Item
00-104-002	SW-48004 SOLDIER B	1	B
00-104-004	SW-48004 SOLDIER D	1	D
00-104-007	SW-48004 SOLDIER G	1	G
00-104-008	SW-48004 SOLDIER H	1	H
00-104-009	SW-48004 SOLDIER I	1	I
00-115-001	MISSILE LOADING CART A	1	A
00-115-002	MISSILE LOADING CART B	1	B
00-154-001	MAIN CHASSIS	1	A
00-154-002	MAIN ACCESSORIES	1	B
00-154-003	FUEL TANK	1	C
00-154-004	CLEAR PARTS FOR GEN 3	1	D
01-154-67001	1/48 R-11 TRUCK	1	DECAL
03-154-48116	1/48 USAF/NATO GSE COLLECTION	1	MANUAL

AFTERMARKET SERVICES CARD

When requesting replacement parts, please take or send this form to your local dealer so that the parts required can be correctly identified. Please note that specifications and availability are subject to change without notice.

For more information, please contact services@kineticmodel.com or visit <http://www.kineticmodel.com> for latest information.

CAUTION

- *Read carefully and fully understand the instructions before commencing assembly
- *Keep out of reach of children. Children must not be allowed to put any parts in their mouths, or pull plastic bag over their heads.
- *When using adhesives and paints, please make sure not to use them in closed room or near the fire.
- *When assembling this kit, tools including knives are used. Extra care should be taken to avoid injury.

WARNING: CONTAIN SMALL PARTS NOT FOR CHILDREN UNDER 14 YEARS OF AGE.



Drill



Remove



2 Set



Bend



Optional



Decal



Super Glue



Fill Hole



No Cement



Be Careful

TOOLS RECOMMENDED

Cement



Side Cutter



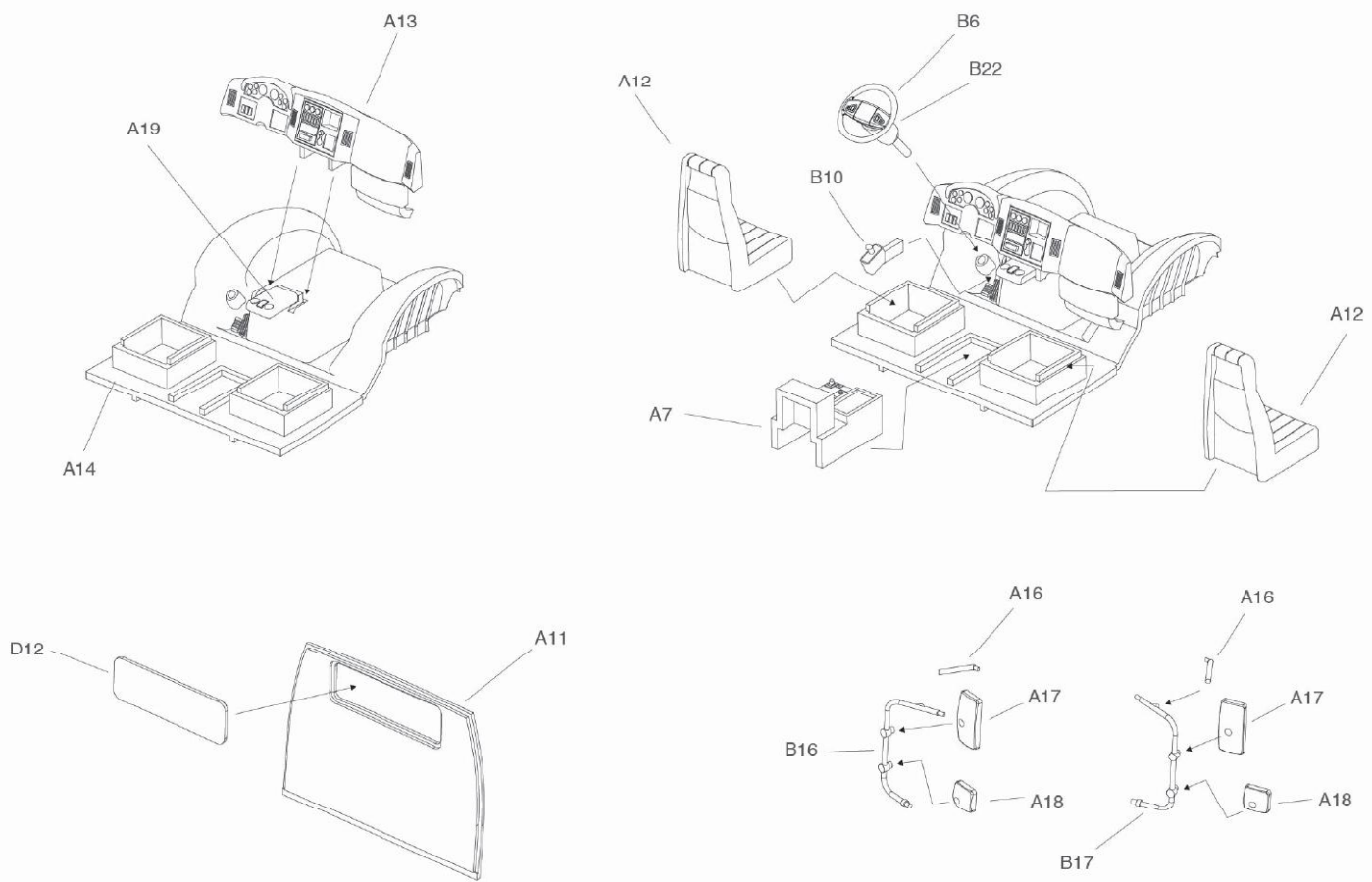
Modeling Knife



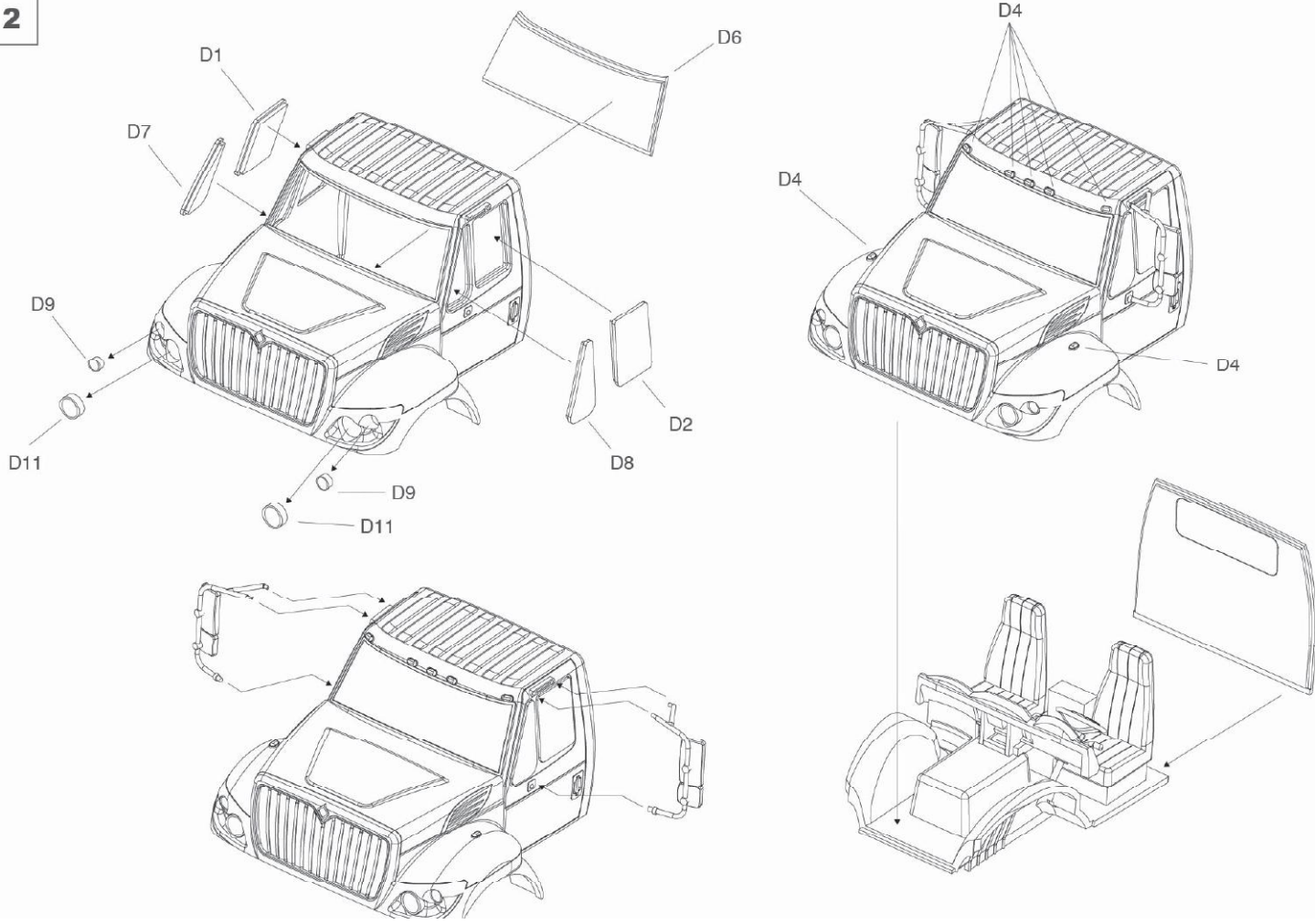
Tweezers



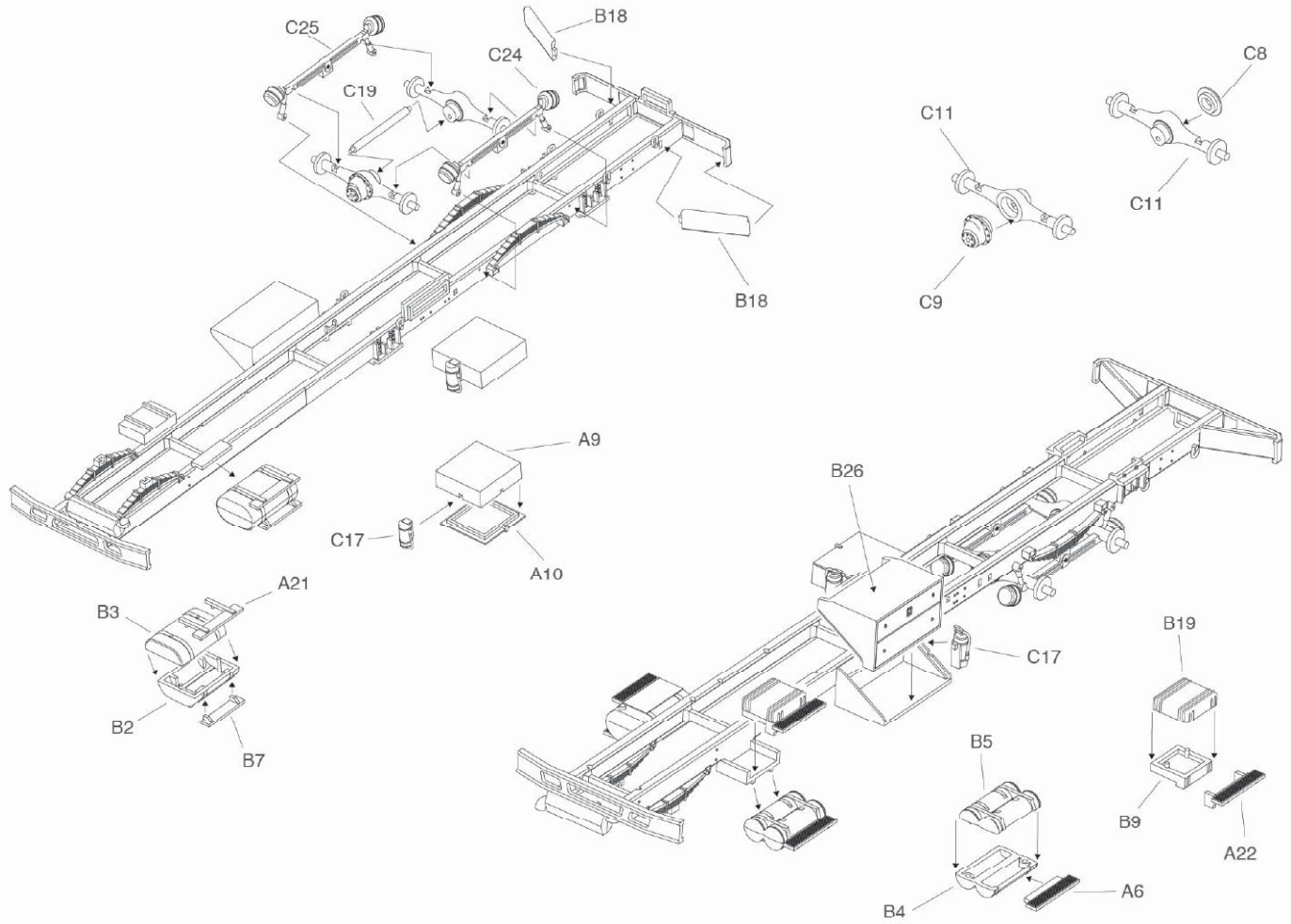
1



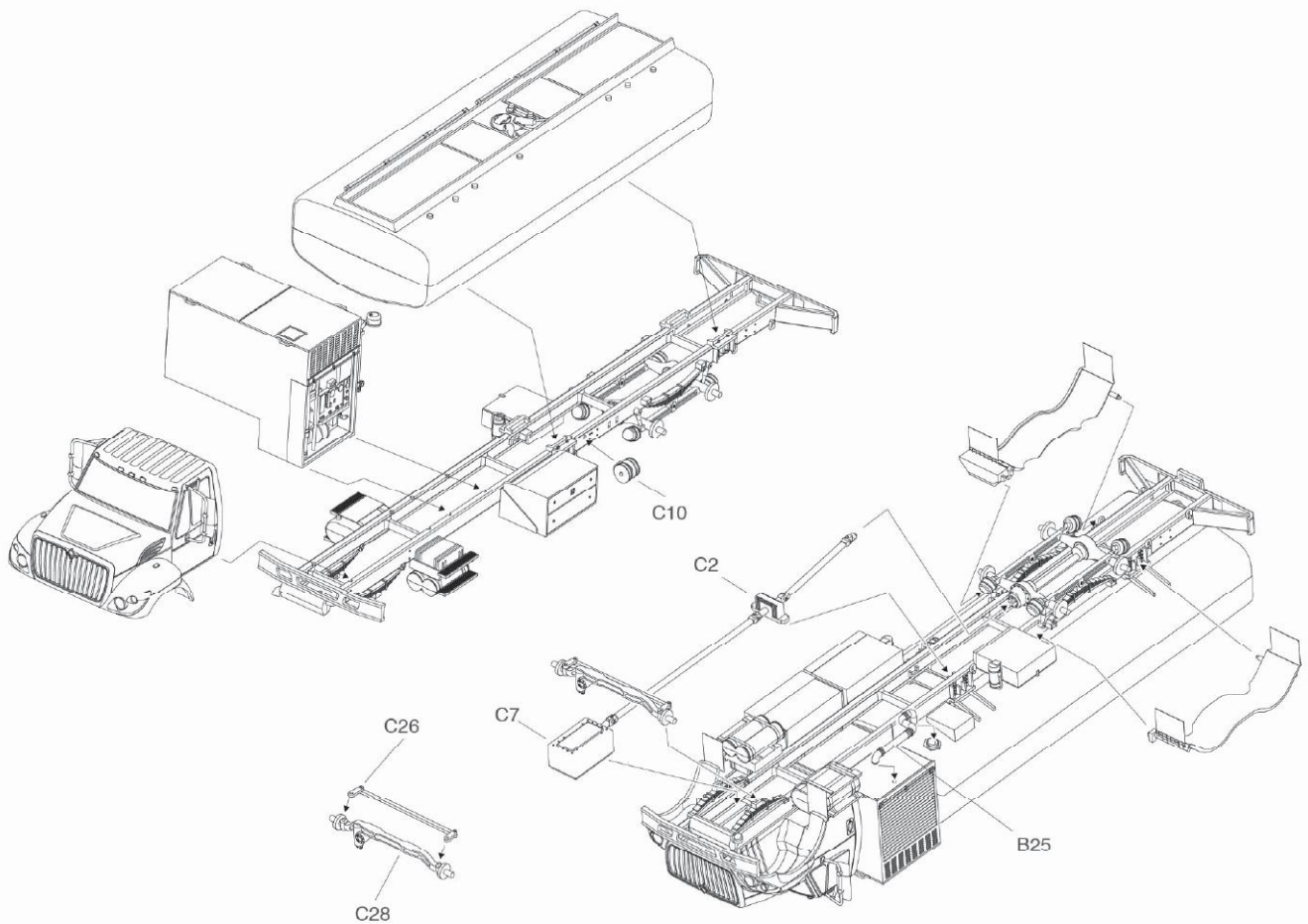
2



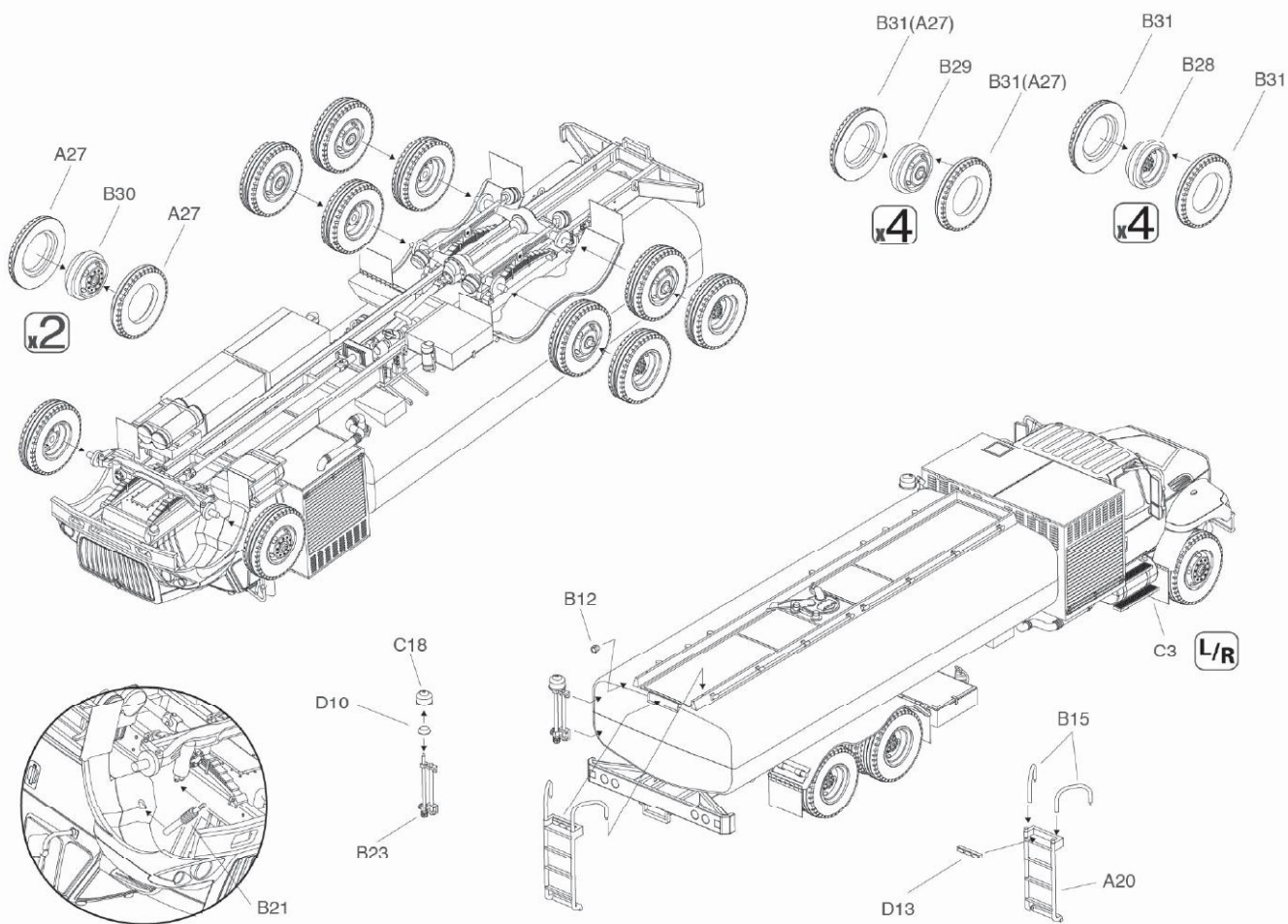
5



6

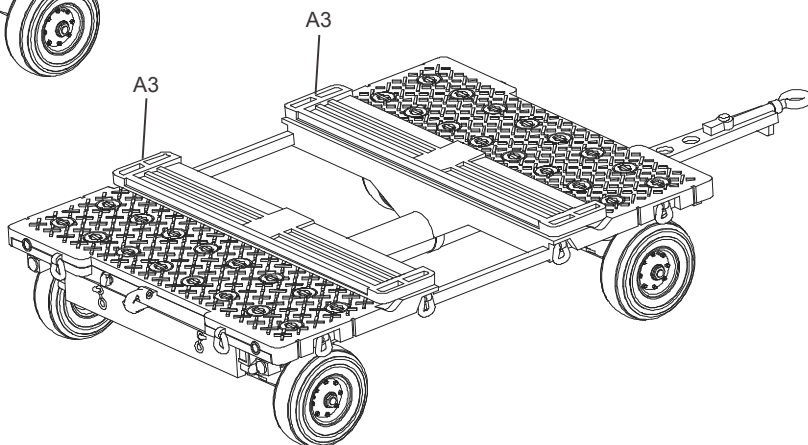
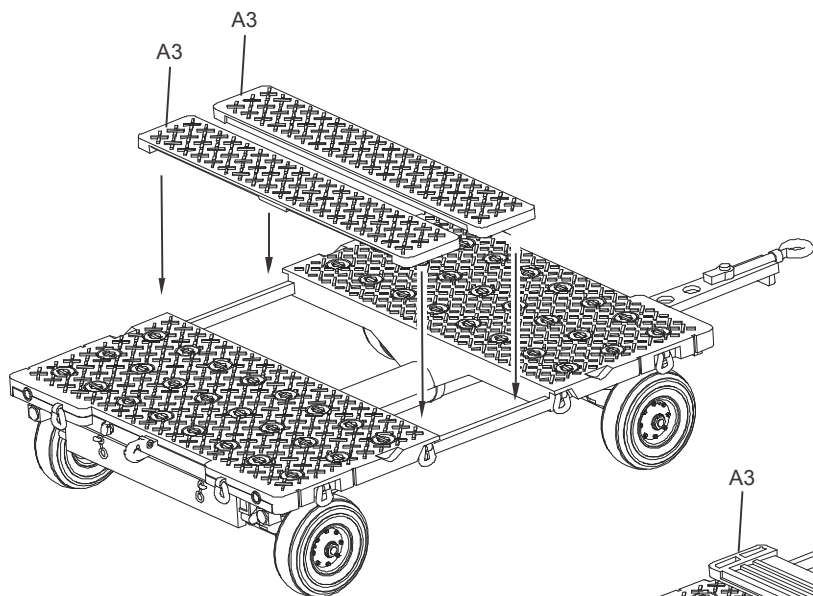
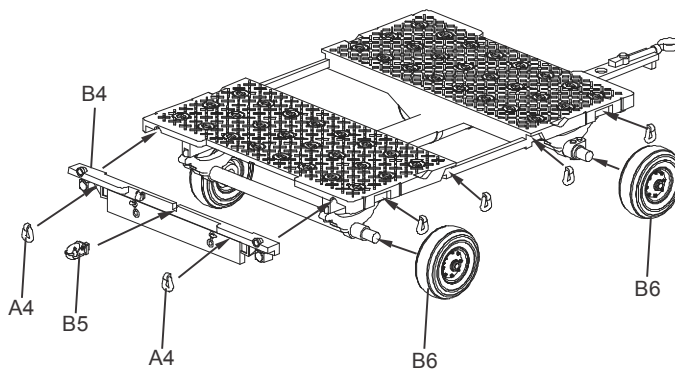
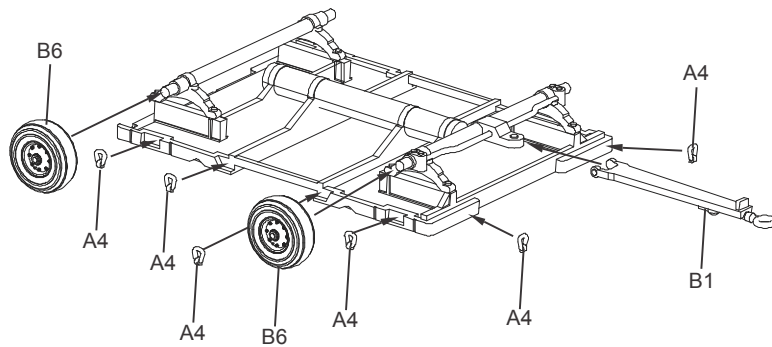
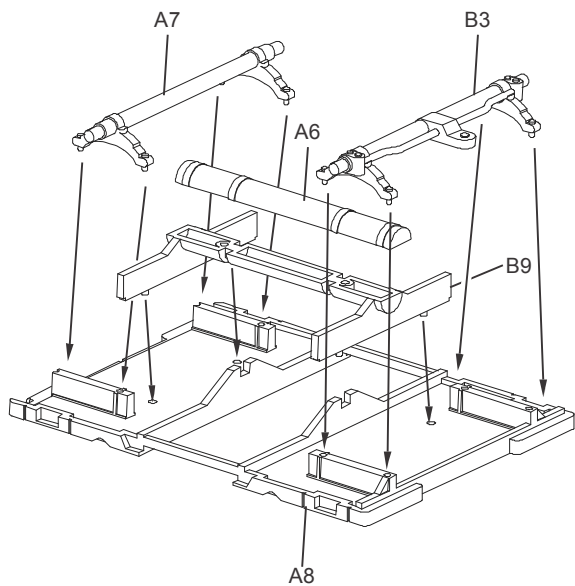


7

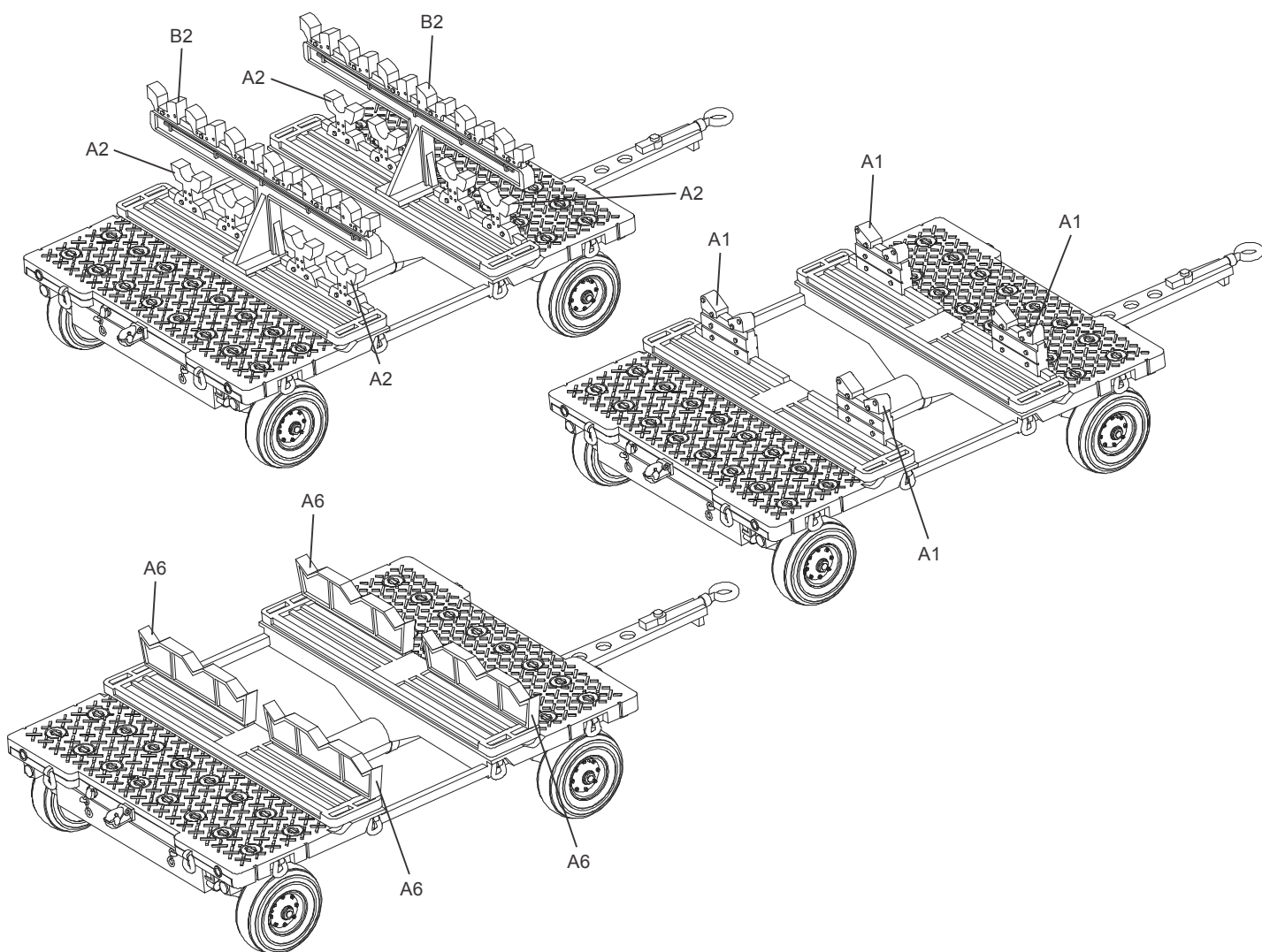
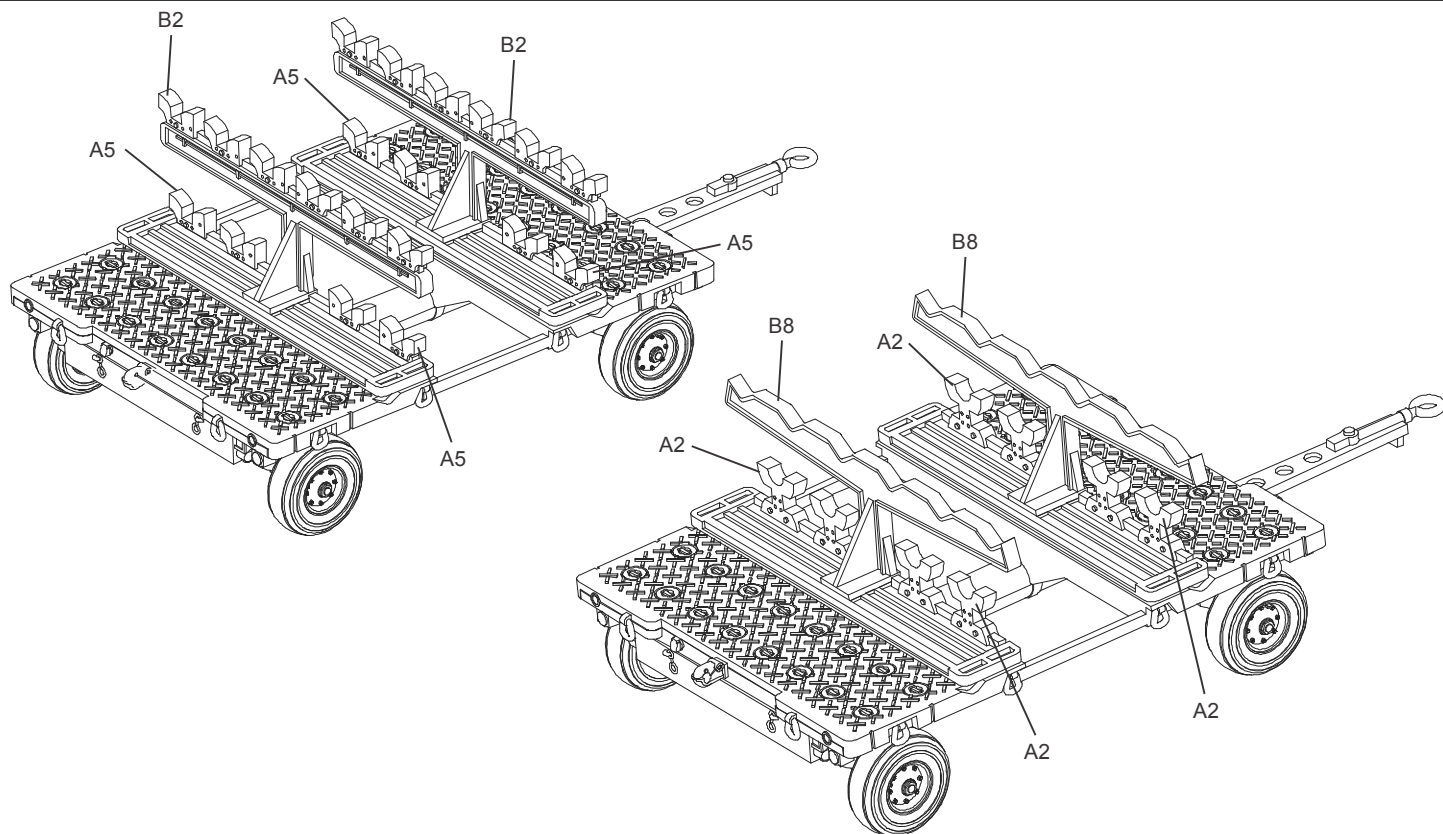


COLOR	AMMO MIG	VALLEJO MODEL COLOR	GSI CREOS MR. COLOR	TAMIYA ENAMEL/ACRYLIC	HUMBROL ENAMEL
SATIN BLACK	A.MIG-032	70.937	2	X-18	21
MATT BLACK	A.MIG-046	71.057	33	XF-1	33
ALUMINUM	A.MIG-194	71.062	—	—	—
SILVER	A.MIG-195	71.063	8	X-11	11
FS 33531 MIDDLESTONE	A.MIG-200	71.327	313	—	—
FS 23070 DARK OLIVE DRAB	A.MIG-237	71.016	12	XF-62	—

1/48 MODERN U.S./NATO MISSILE CART



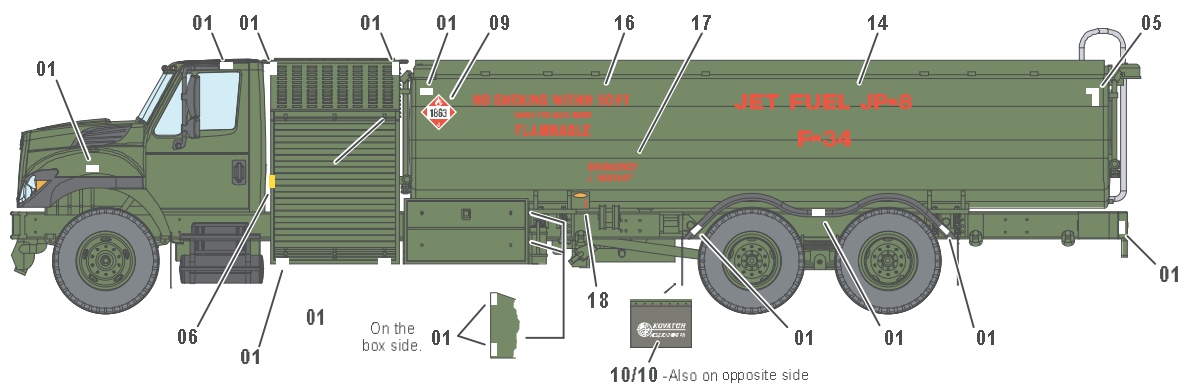
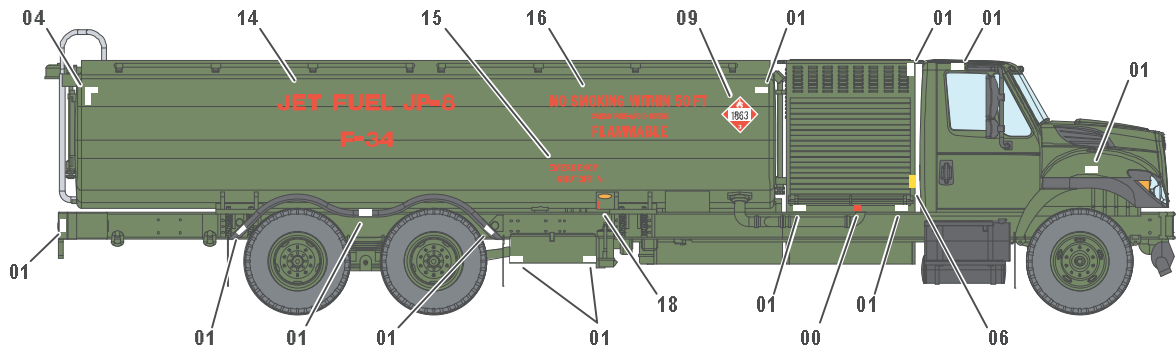
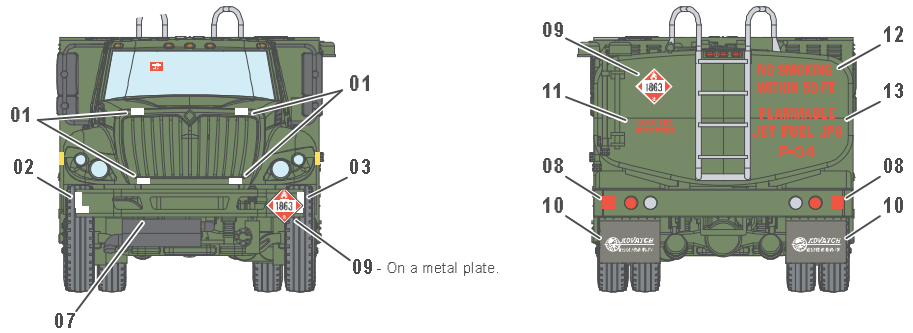
1/48 MODERN U.S./NATO MISSILE CART



A R-11 Gen 3.

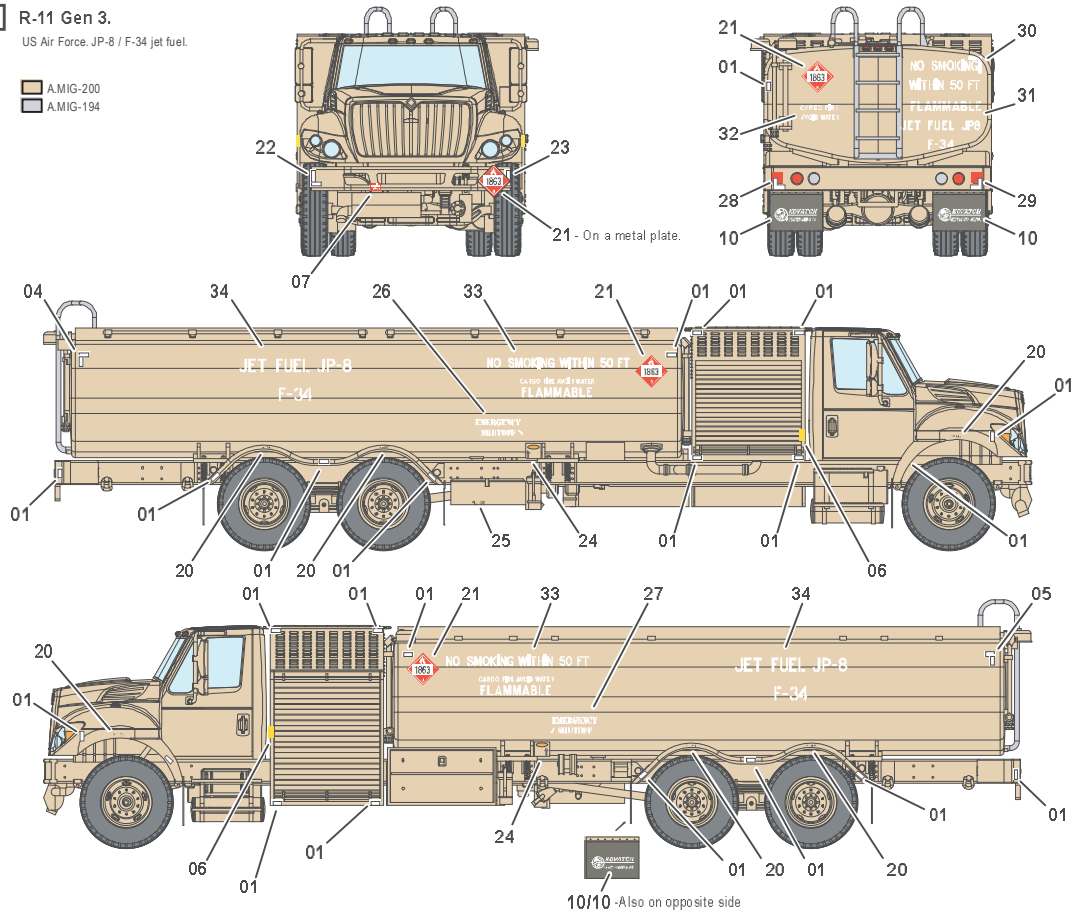
US Air Force. JP-8 / F-34 jet fuel.

- A.MIG-237
- A.MIG-032
- A.MIG-046
- A.MIG-194



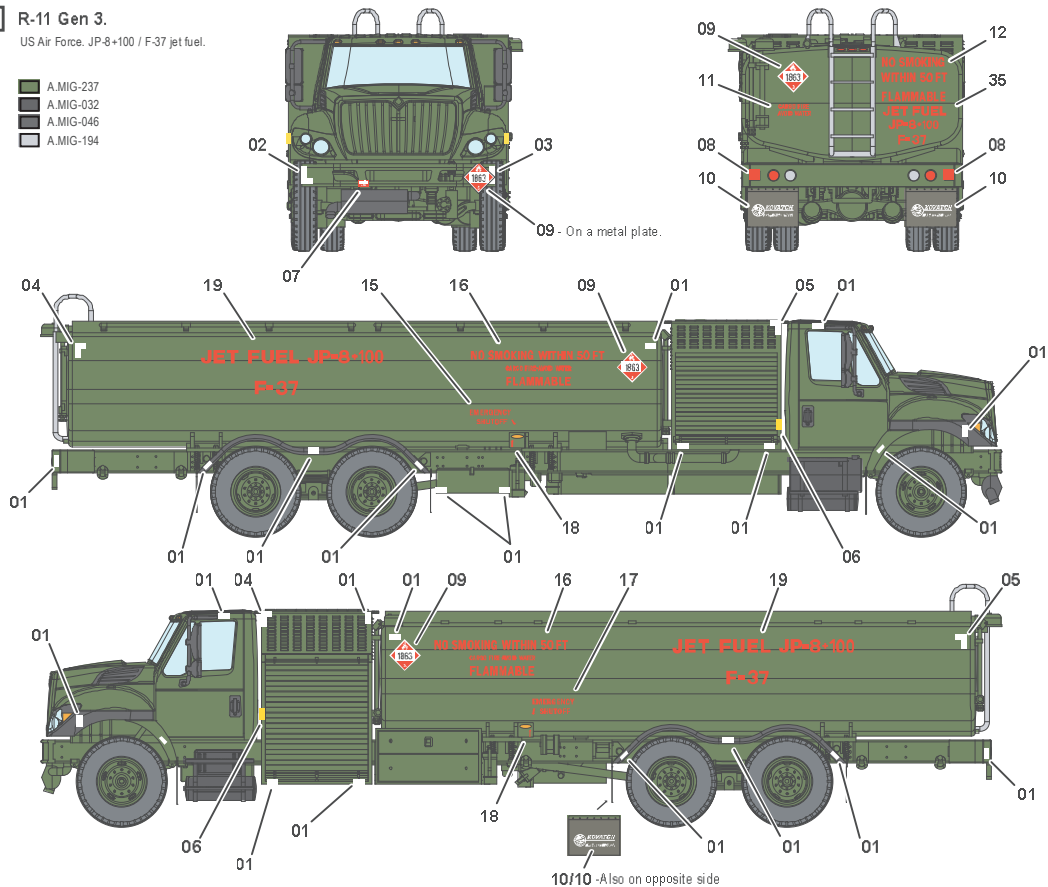
B R-11 Gen 3.
US Air Force. JP-8 / F-34 jet fuel.

- A.MIG-200
- A.MIG-194



C R-11 Gen 3.
US Air Force. JP-8+100 / F-37 jet fuel.

- A.MIG-237
- A.MIG-032
- A.MIG-046
- A.MIG-194



- A.MIG-237
- A.MIG-046
- A.MIG-195

